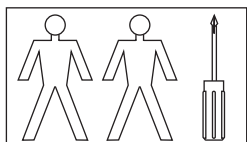
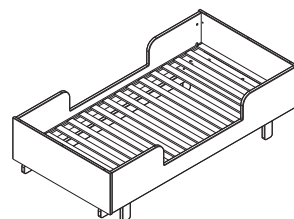
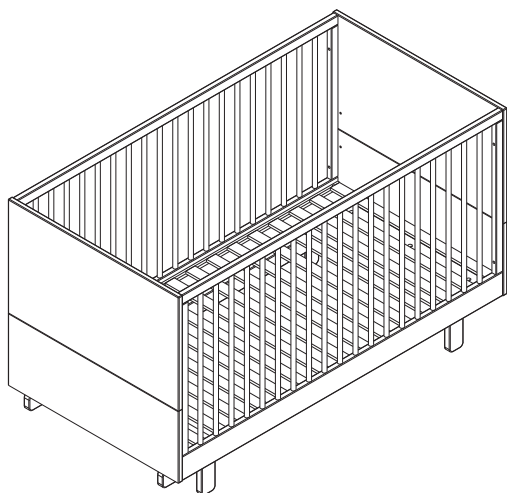
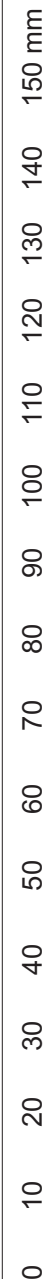
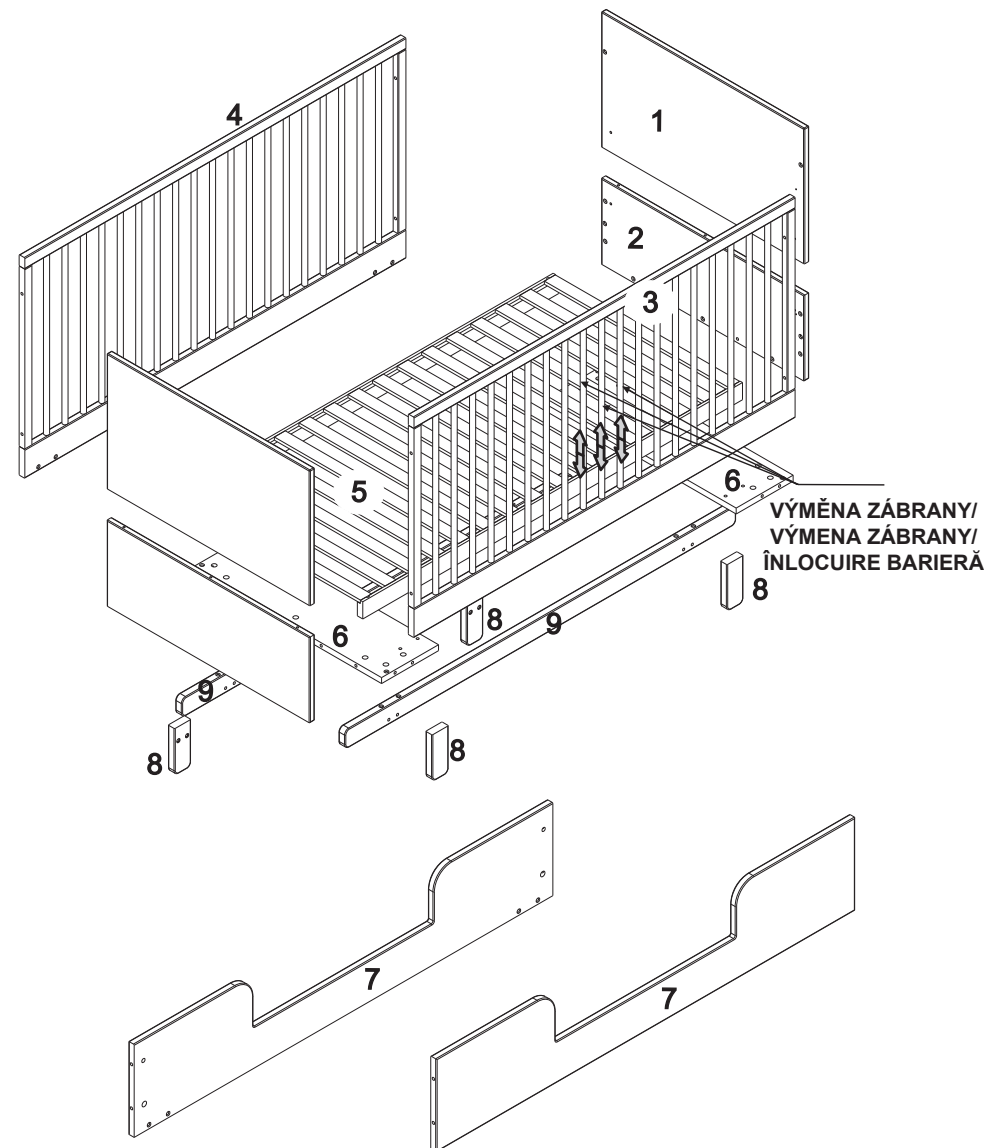
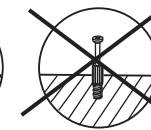
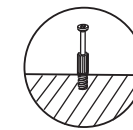
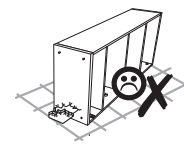
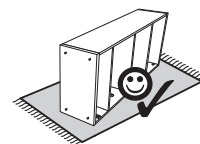


# Basic



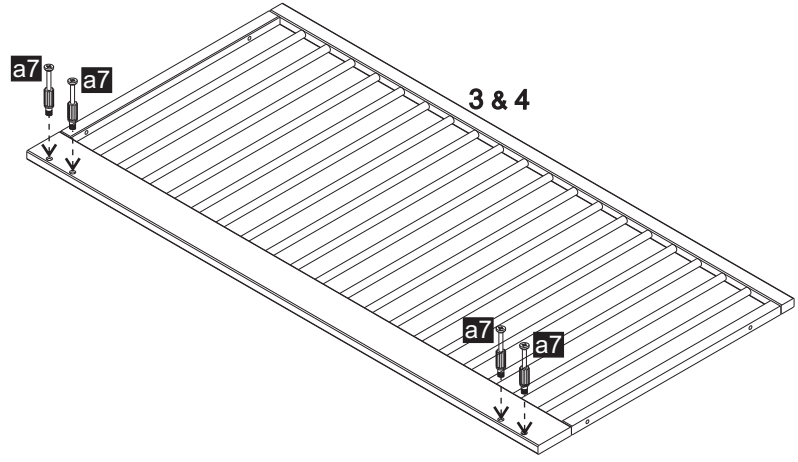
75cm x 144,5cm x 85,5cm

<b>f5</b> Ø 8x32 <b>x4</b>	<b>a7</b> M6 / L=34 <b>x18</b>	<b>a3</b> Ø 15x12 <b>x18</b>	<b>T</b> Ø 6x55 <b>x6</b>
<b>h18</b> Ø 6x30 <b>x16</b>	<b>h3</b> Ø 6x40 <b>x8</b>	<b>T1</b> Ø 6x45 <b>x4</b>	<b>h5</b> Ø 6x70 <b>x4</b>
<b>a11</b> Ø 10x13 <b>x4</b>	<b>a12</b> <b>x4</b>	<b>a13</b> <b>x4</b>	
<b>x3</b> <b>x1</b>	<b>k9</b> <b>x4</b>	<b>x1</b> <b>x1</b>	



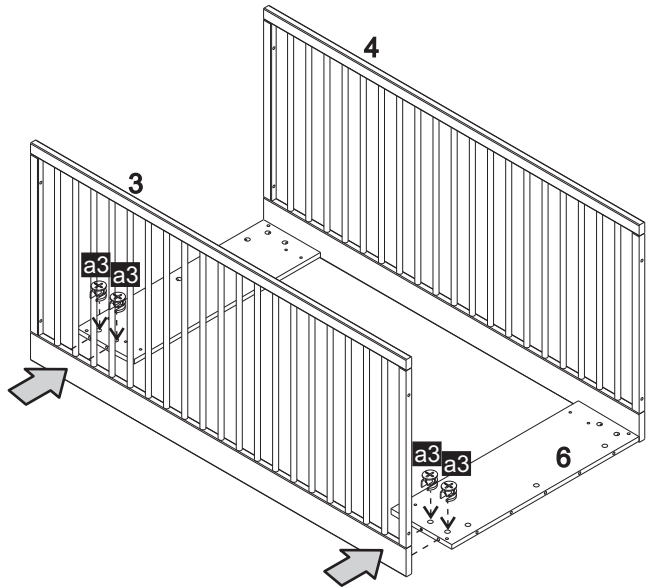
1

a7  
M6 / L=34 x8



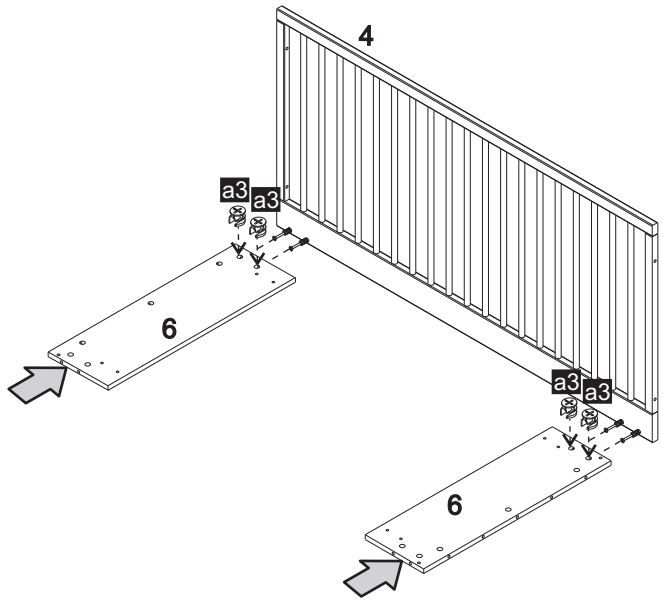
3

a3  
Ø 15x12 x4



2

a3  
Ø 15x12 x4



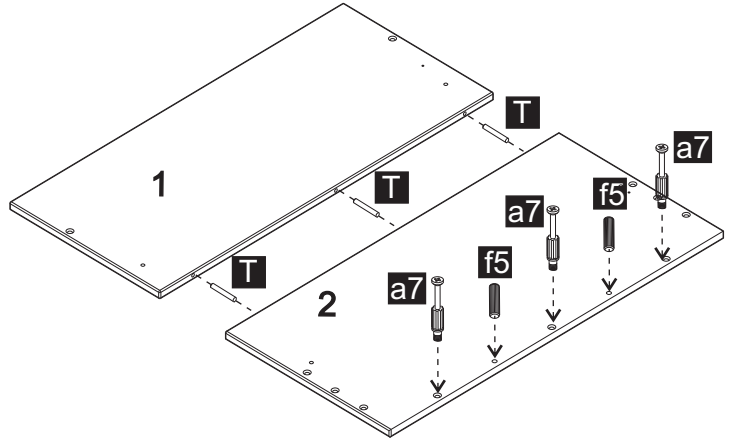
4

x2


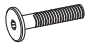
a7  
M6 / L=34 x6

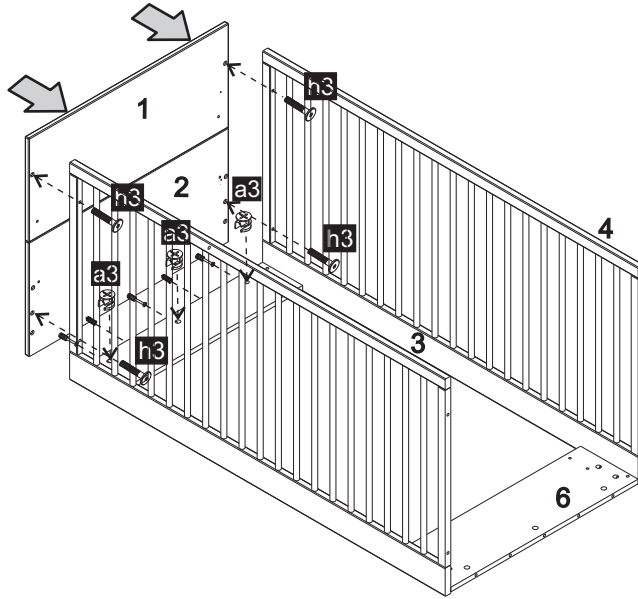
f5  
Ø 8x32 x4

T  
Ø 6x55 x6




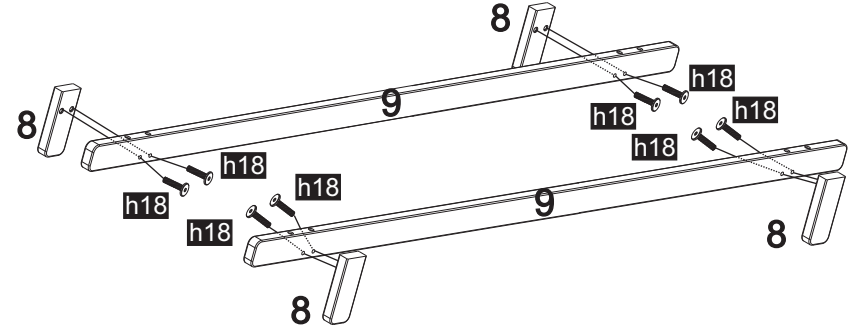
5

- a3**   $\varnothing 15 \times 12$  **x3**
- h3**   $\varnothing 6 \times 40$  **x4**





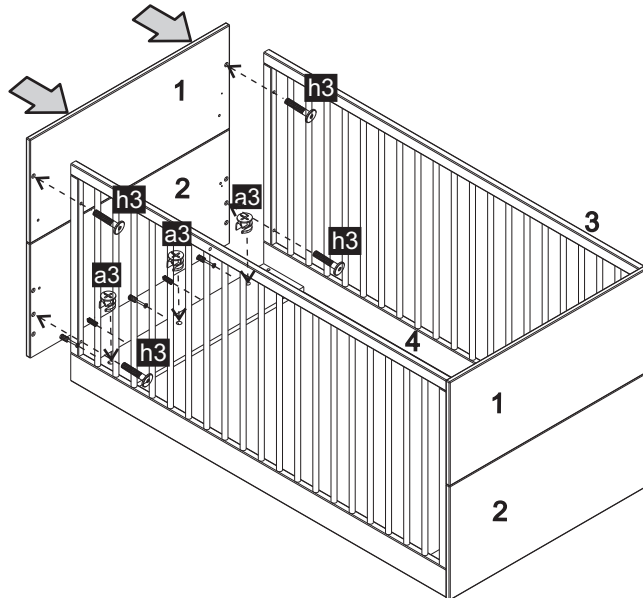
7

- h18**   $\varnothing 6 \times 30$  **x8**




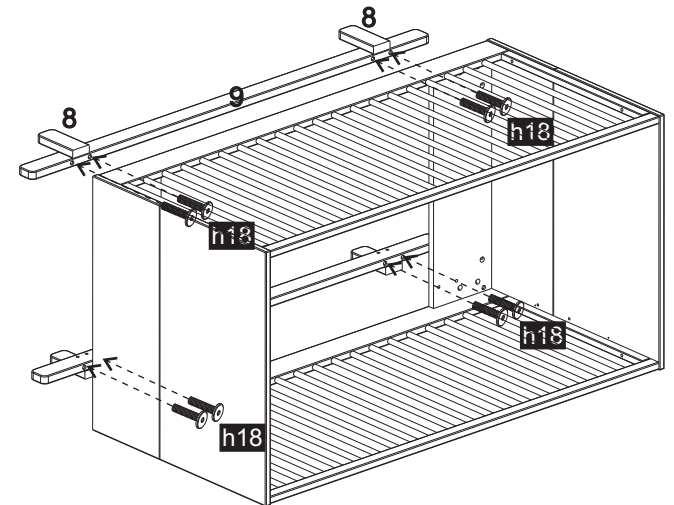
6

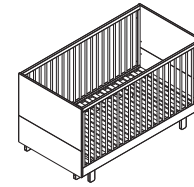
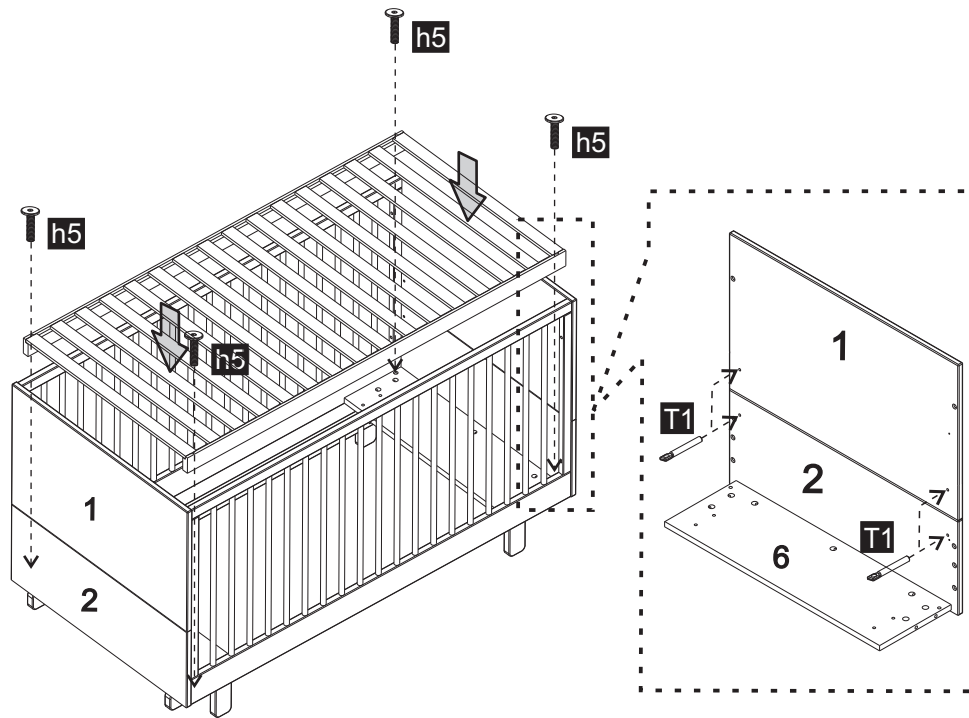
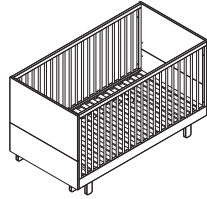
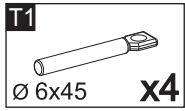
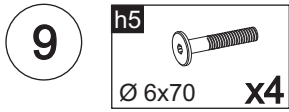
- a3**   $\varnothing 15 \times 12$  **x3**
- h3**   $\varnothing 6 \times 40$  **x4**



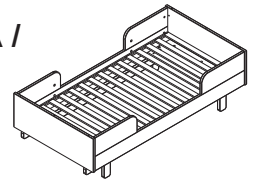
8

- h18**   $\varnothing 6 \times 30$  **x8**

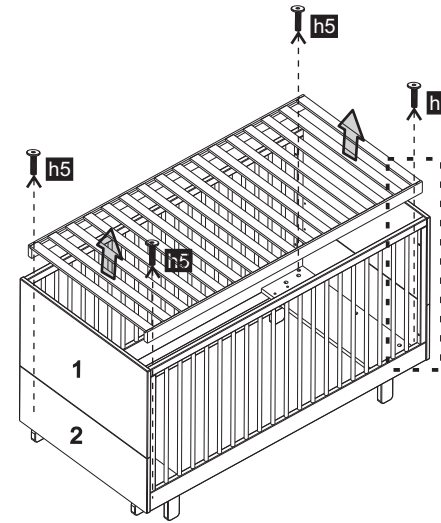




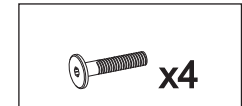
<= PŘESTAVBA / PRESTAVBA /  
RECONSTRUCȚIE =>



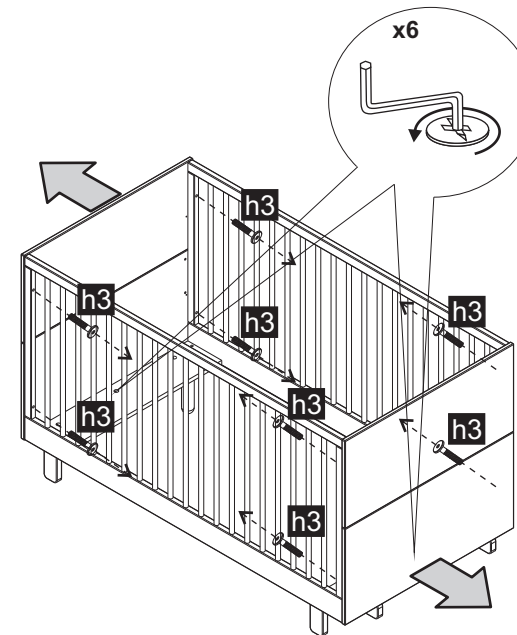
1



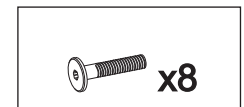
vyjmout / vybrat' / scoate



2

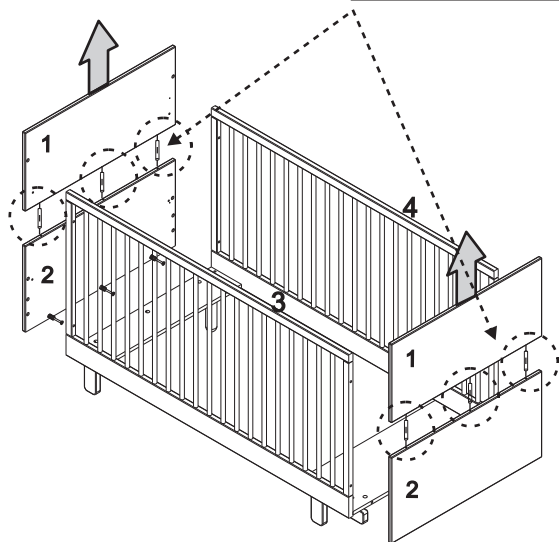


vyjmout / vybrat' / scoate

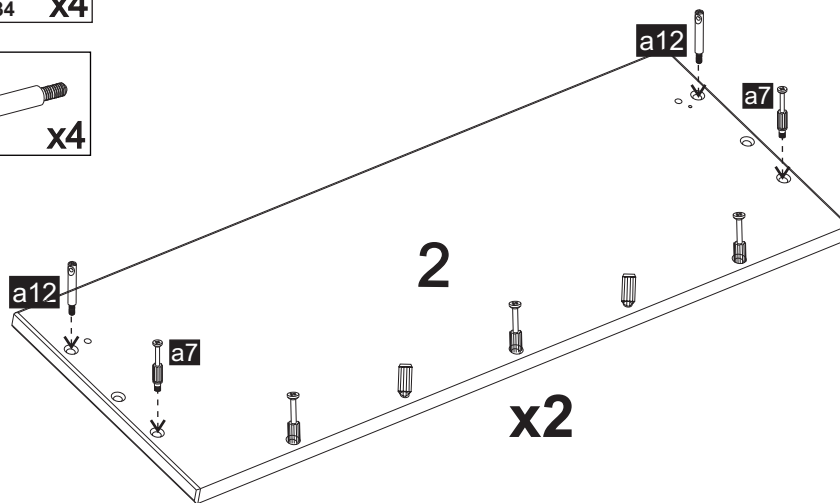
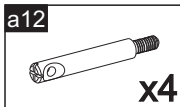
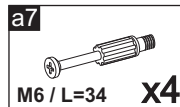


3

vyjmout / vybrat' / scoate



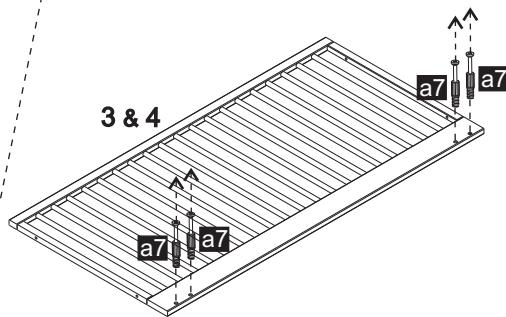
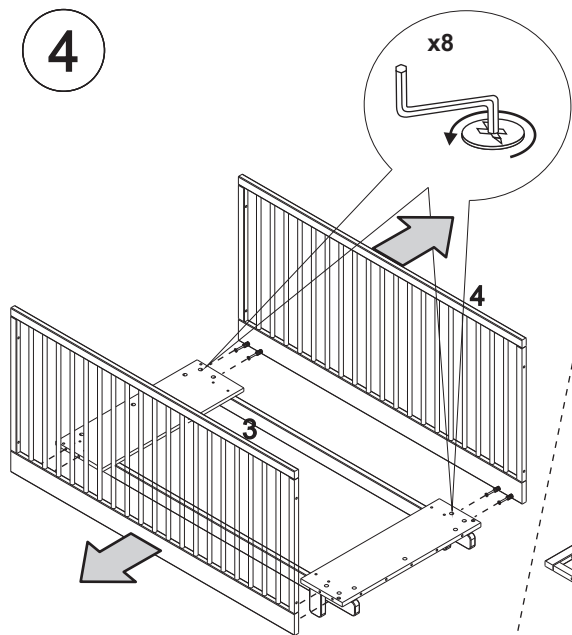
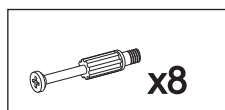
6



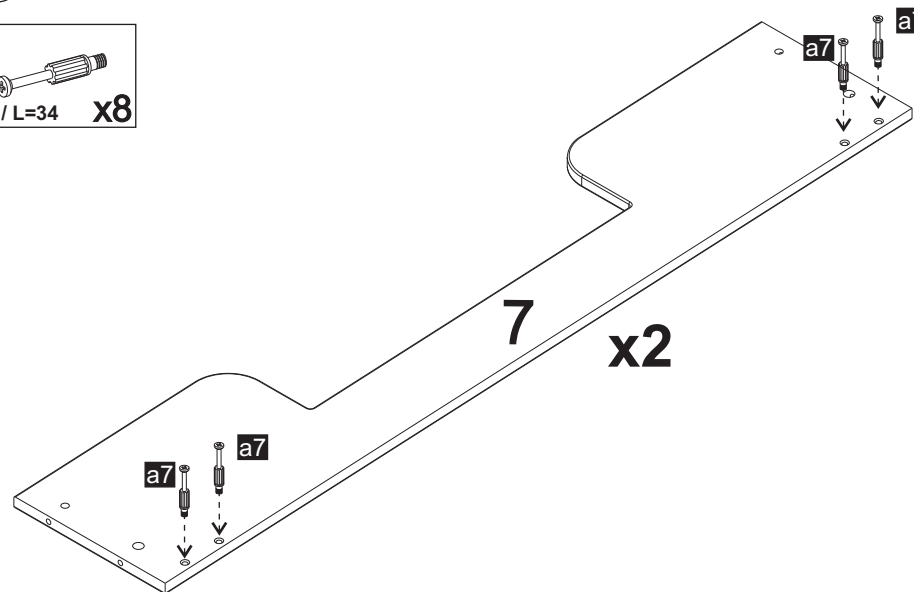
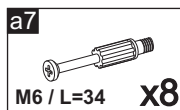
4

5

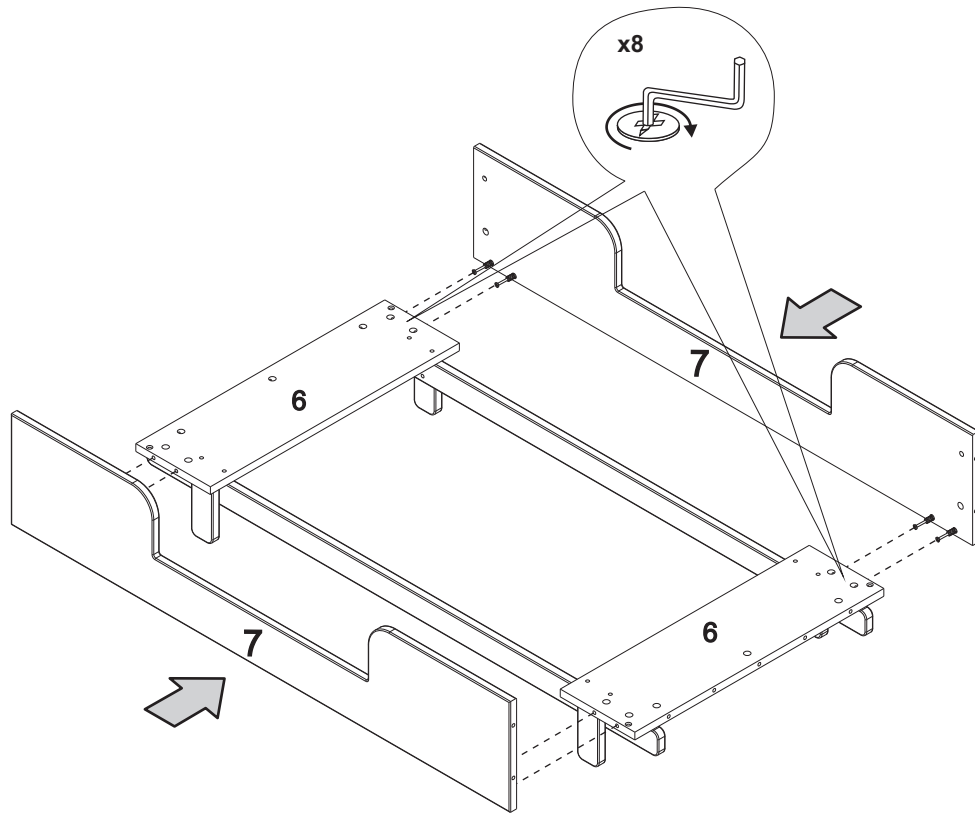
vyjmout / vybrat' / scoate




7





8



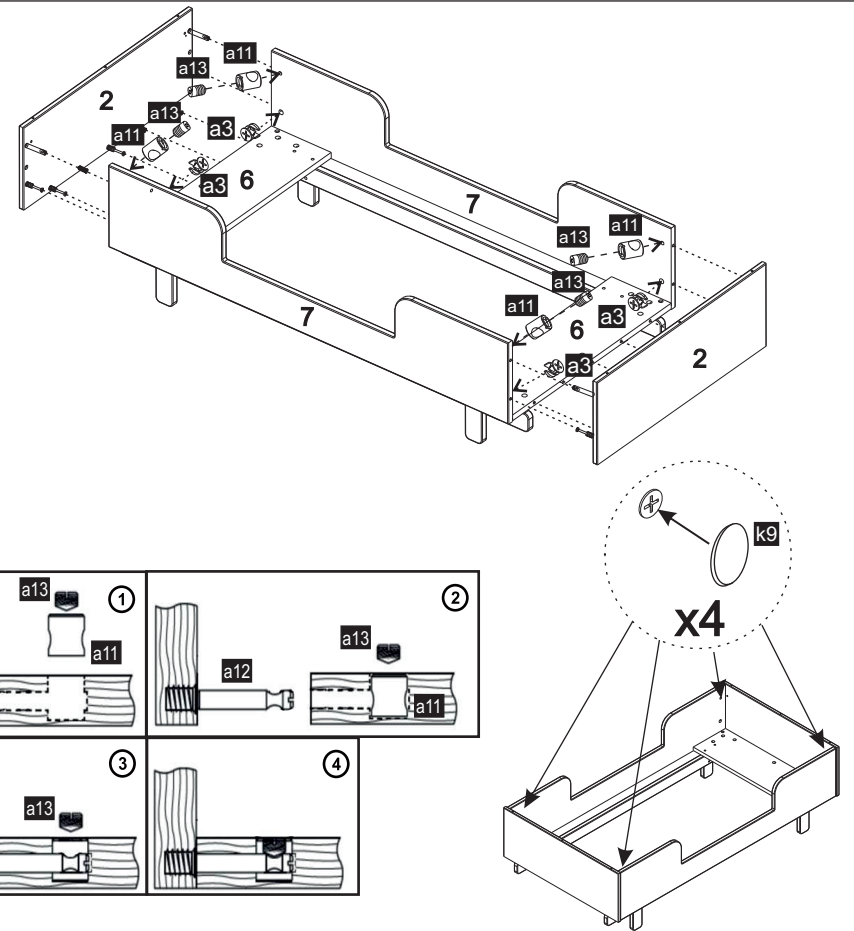
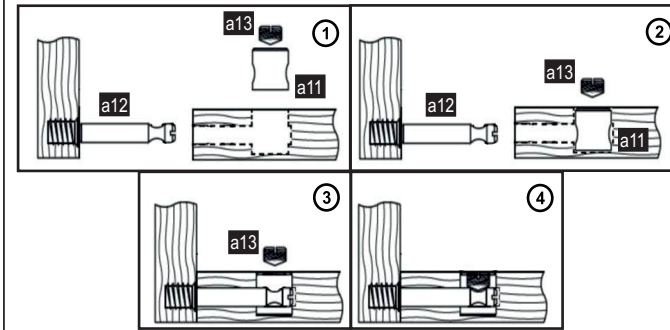
9

**a3**  **x4**  
 Ø 15x12


**a11**  **x4**  
 Ø 10x13

**a13**  **x4**

**k9**  **x4**



10

**h5**  **x4**  
 Ø 6x70

